

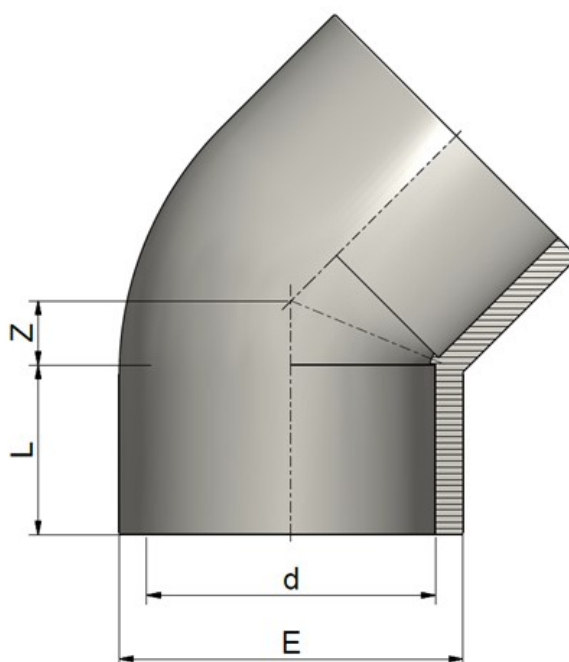
## PP-H Fittings for socket fusion jointing

### PP-H Raccordi per saldatura nel bicchiere

#### ELBOW 45°

#### GOMITO 45

Rev. Jun 2019



Code	d	L	Z	E	PN	Weight (g)
RHPGYH0200	20	16	5	29,5	10	15
RHPGYH0250	25	18	6	36	10	24
RHPGYH0320	32	20	8	43,5	10	36
RHPGYH0400	40	22	10	53	10	58
RHPGYH0500	50	25	12,5	64	10	92
RHPGYH0630	63	30	14	79	10	170
RHPGYH0750	75	33	20	92	10	233
RHPGYH0900	90	37,5	23,5	113	10	446
RHPGYH1100	110	43	58	135	10	657

All descriptions and illustrations in this publication are intended for guidance only and shall not constitute a 'sale by description'. All dimensions given are nominal, while changes can be done on the information, products and specifications from time to time for a variety of reasons, without prior notice. The information in this publication is provided 'as is' on the revision date stated on the sheet. Updates will not be issued automatically. This information is not intended to have any legal effect, whether by way of advice, representation or warranty (express or implied). We accept no liability whatsoever (to the extent permitted by law) if you place any reliance on this publication you must do so at your own risk. All rights reserved. Copyright in this publication belongs to Polypipe Italia and all such copyright may not be used, sold, copied or reproduced in whole or part in any manner in any media to any person without prior consent. **EFFAST** is a registered trademark."