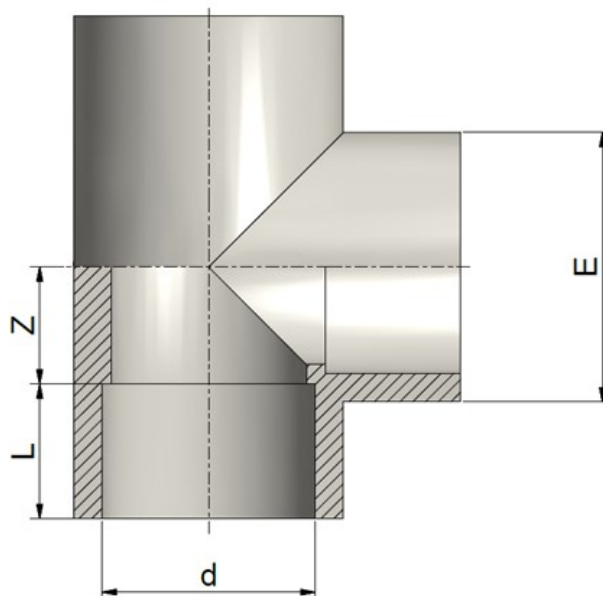


PP-H Fittings for socket fusion jointing

PP-H Raccordi per saldatura nel bicchiere

TEE 90°
TI 90°

Rev. Jun 2019



Code	d	L	Z	E	PN	Weight (g)
RHPTIH0200	20	16	11	29,5	10	20
RHPTIH0250	25	18	14	36	10	37
RHPTIH0320	32	20	18	43,5	10	58
RHPTIH0400	40	22	22	53,5	10	92
RHPTIH0500	50	25	27	66	10	146
RHPTIH0630	63	30	32,5	82	10	280
RHPTIH0750	75	30,5	40,5	93	10	450
RHPTIH0900	90	37,5	51,5	114	10	750
RHPTIH1100	110	44	57,5	134,5	10	1095

All descriptions and illustrations in this publication are intended for guidance only and shall not constitute a 'sale by description'. All dimensions given are nominal, while changes can be done on the information, products and specifications from time to time for a variety of reasons, without prior notice. The information in this publication is provided 'as is' on the revision date stated on the sheet. Updates will not be issued automatically. This information is not intended to have any legal effect, whether by way of advice, representation or warranty (express or implied). We accept no liability whatsoever (to the extent permitted by law) if you place any reliance on this publication you must do so at your own risk. All rights reserved. Copyright in this publication belongs to Polypipe Italia and all such copyright may not be used, sold, copied or reproduced in whole or part in any manner in any media to any person without prior consent. **EFFAST** is a registered trademark."