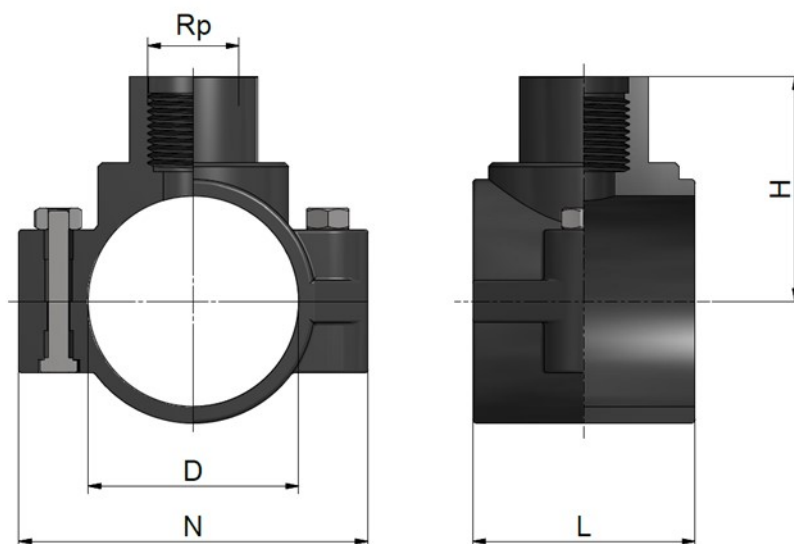


PP Clamp saddles

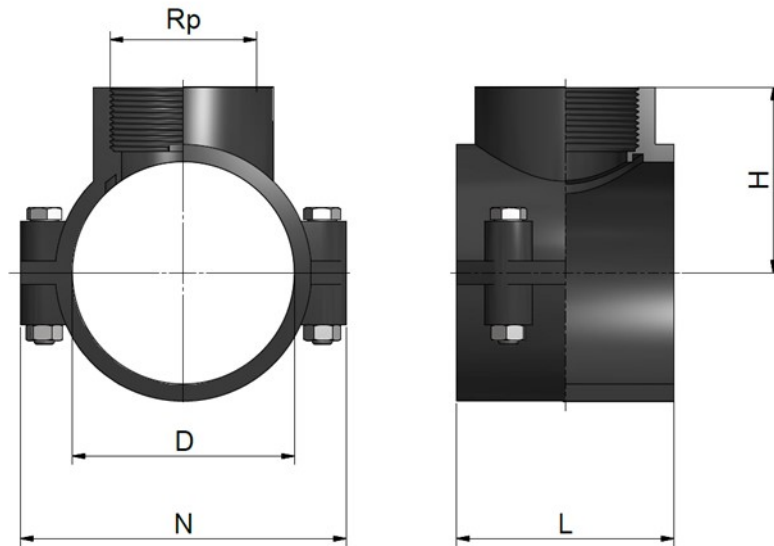
PP Prese a staffa

BSPF FEMALE THREADED FILETTATA BSPP FEMMINA

Rev. Jun 2019



Code	D	Rp	N	L	H	Weight (g)
SEP010020B	20	1/2"	66	44	35	63
SEP010025B	25	1/2"	66	44	35	58
SEP010025C	25	3/4"	66	44	35	58
SEP010032B	32	1/2"	84	51	40	114
SEP010032C	32	3/4"	84	51	40	114
SEP010032D	32	1"	84	51	40	114
SEP010040B	40	1/2"	84	51	47	121
SEP010040C	40	3/4"	84	51	47	121
SEP010040D	40	1"	84	51	47	121
SEP010050B	50	1/2"	83	53	54	120
SEP010050C	50	3/4"	83	53	54	120
SEP010050D	50	1"	83	53	54	120



Code	D	Rp	N	L	H	Weight (g)
SEP010063B	63	1/2"	97	68	58	241
SEP010063C	63	3/4"	97	68	58	241
SEP010063D	63	1"	97	68	58	253
SEP010063E	63	1"1/4	97	68	62	243
SEP010063F	63	1"1/2	97	68	61	243
SEP010075B	75	1/2"	110	68	65	313
SEP010075C	75	3/4"	110	68	65	313
SEP010075D	75	1"	110	68	63	313
SEP010075E	75	1"1/4	110	68	64	296
SEP010075F	75	1"1/2	110	68	68	296
SEP010075G	75	2"	110	68	68	270
SEP010090B	90	1/2"	127	88	71	370
SEP010090C	90	3/4"	127	88	71	390
SEP010090D	90	1"	126	88	75	700
SEP010090E	90	1"1/4	127	88	75	390
SEP010090F	90	1"1/2	126	88	88	390
SEP010090G	90	2"	127	88	75	310
SEP010110B	110	1/2"	140	98	86	600
SEP010110C	110	3/4"	140	98	86	420
SEP010110D	110	1"	142	98	86	420
SEP010110E	110	1"1/4	140	98	86	420
SEP010110F	110	1"1/2	140	98	86	750
SEP010110G	110	2"	142	98	87	750
SEP010110H	110	2"1/2	162	107	100	470
SEP010110I	110	3"	162	107	102	470

Code	D	Rp	N	L	H	Weight (g)
SEP010125B	125	1/2"	164	120	95	740
SEP010125C	125	3/4"	164	120	95	740
SEP010125D	125	1"	164	120	95	740
SEP010125E	125	1"1/4	164	120	95	740
SEP010125F	125	1"1/2	164	120	95	740
SEP010125G	125	2"	164	120	95	740
SEP010125H	125	2"1/2	164	120	95	1233
SEP010125I	125	3"	164	120	95	1233
SEP010140C	140	3/4"	202	116	112	873
SEP010140D	140	1"	202	116	112	873
SEP010140E	140	1"1/4	202	116	112	873
SEP010140F	140	1"1/2	202	116	112	873
SEP010140G	140	2"	202	116	112	873
SEP010140I	140	3"	202	116	112	813
SEP010140L	140	4"	202	116	112	813
SEP010160B	160	1/2"	202	116	112	985
SEP010160C	160	3/4"	202	116	112	985
SEP010160D	160	1"	202	116	112	985
SEP010160E	160	1"1/4	202	116	112	985
SEP010160F	160	1"1/2	202	116	112	985
SEP010160G	160	2"	202	116	112	894
SEP010160H	160	2"1/2	202	116	112	894
SEP010160I	160	3"	202	116	112	894
SEP010160L	160	4"	202	116	112	894
SEP010200D	200	1"	270	195	252	2065
SEP010200E	200	1"1/4	270	195	247	2065
SEP010200F	200	1"1/2	270	195	243	2030
SEP010200G	200	2"	270	195	246	2035
SEP010200I	200	3"	270	195	252	2073
SEP010200L	200	4"	270	195	255,5	2080
SEP010225B	225	3/4"	300	195	267	2160
SEP010225D	225	1"	300	195	267	2160
SEP010225E	225	1"1/4	286	195	273	2712
SEP010225F	225	1"1/2	286	195	274,5	2164
SEP010225G	225	2"	289	195	271	2197
SEP010225I	225	3"	302	195	279	2228
SEP010225L	225	4"	300	195	280	2220
SEP010250D	250	1"	322	242	294,5	2712
SEP010250E	250	1"1/4	324	244	295,5	2712
SEP010250F	250	1"1/2	322	242	294,5	2712

Code	D	Rp	N	L	H	Weight (g)
SEP010250G	250	2"	331	244	295,5	2713
SEP010250I	250	3"	339	243	298	2750
SEP010250L	250	4"	327	243	298	2765
SEP010315D	315	1"	392	244	373,5	4005
SEP010315E	315	1"1/4	392	244	373,5	4010
SEP010315F	315	1"1/2	392	244	373,5	4020
SEP010315G	315	2"	396	244	375,5	4050
SEP010315I	315	3"	394	244	380,5	4065
SEP010315L	315	4"	401	244	384,5	4125

All descriptions and illustrations in this publication are intended for guidance only and shall not constitute a 'sale by description'. All dimensions given are nominal, while changes can be done on the information, products and specifications from time to time for a variety of reasons, without prior notice. The information in this publication is provided 'as is' on the revision date stated on the sheet. Updates will not be issued automatically. This information is not intended to have any legal effect, whether by way of advice, representation or warranty (express or implied). We accept no liability whatsoever (to the extent permitted by law) if you place any reliance on this publication you must do so at your own risk. All rights reserved. Copyright in this publication belongs to Polypipe Italia and all such copyright may not be used, sold, copied or reproduced in whole or part in any manner in any media to any person without prior consent. **EFFAST** is a registered trademark."