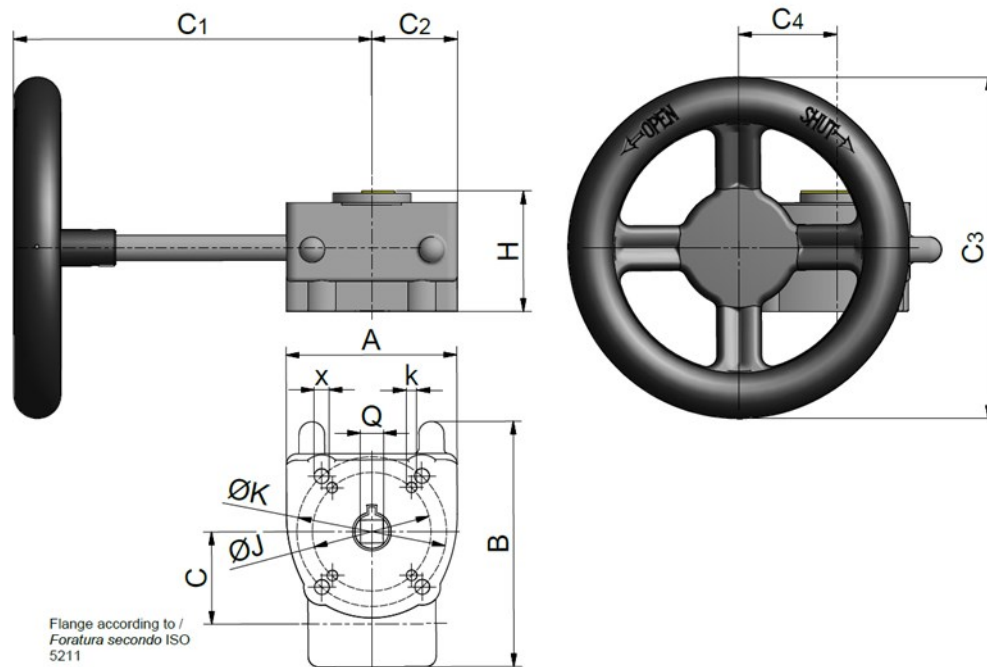


Actuation Attuazione

GEAR BOX VOLANTINO

Rev. Nov 2021



| Code | C1 | C2 | C3 | C4 | A | B | C | H3 | ØW | ØJ | Q | k | x | ISO 5211 | Weight (g) |
|---------------------|-----|------|-----|------|-----|-----|------|----|-----|----|----|-------|--------|----------|------------|
| XGEARB0125.Q14.V160 | 139 | 56,5 | 160 | 42,5 | 80 | 114 | 42,5 | 53 | 50 | 36 | 14 | M5x9 | M6x9 | F07 | 800 |
| XGEARB0250.Q17.V160 | 189 | 70 | 160 | 42,5 | 80 | 114 | 42,5 | 59 | 70 | 50 | 17 | M6x9 | M8x2 | F05-F07 | 900 |
| XGEARB0500.Q22.V200 | 207 | 70 | 200 | 50 | 100 | 131 | 50 | 67 | 102 | 70 | 27 | M8x12 | M10x15 | F07-F10 | 1550 |