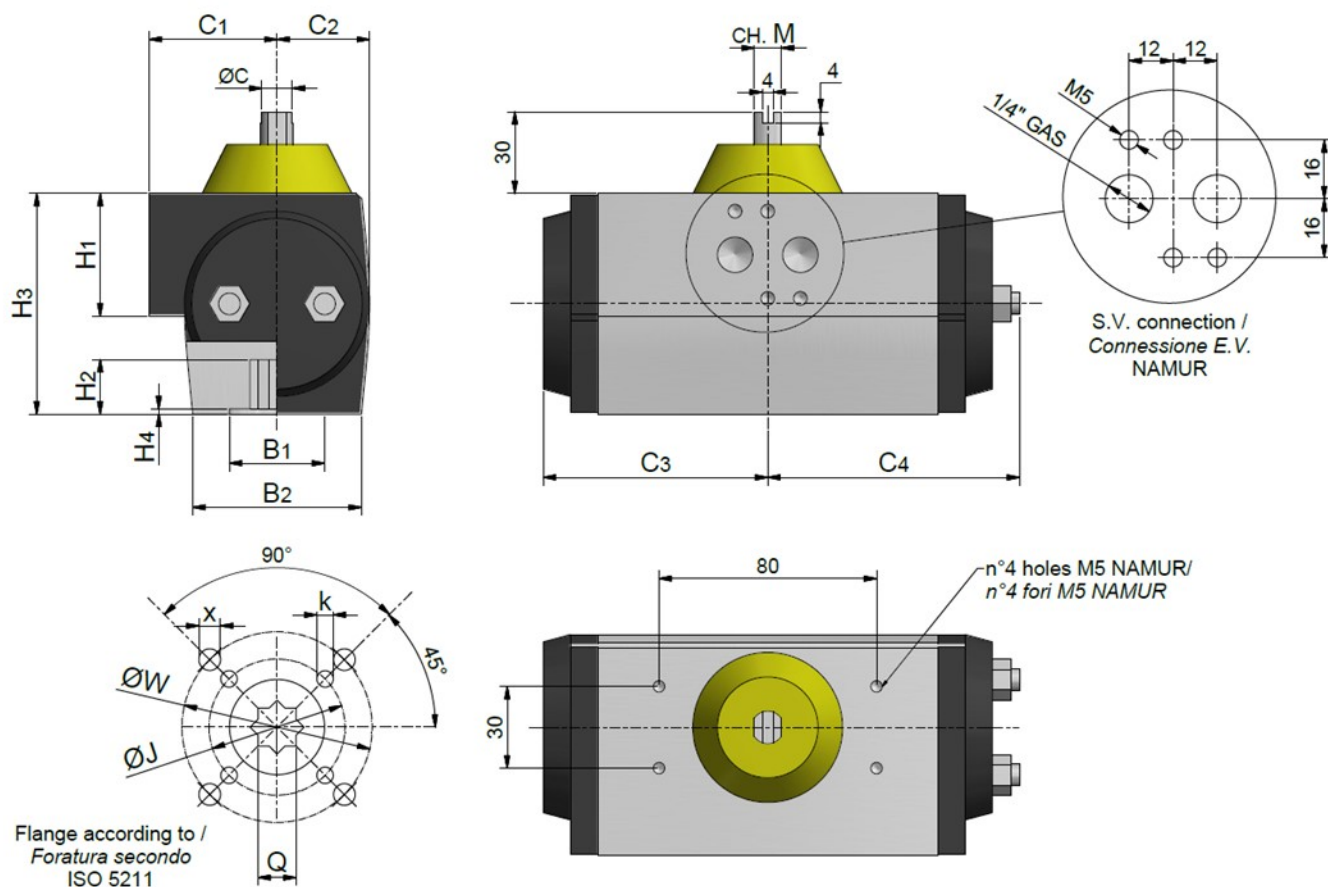


Accessories and spare parts

Accessori e ricambi

PNEUMATICALLY ACTUATED – DOUBLE ACTING COMANDO PNEUMATICO – DOPPIO EFFETTO

Rev. Jun 2019



Code	C1	C2	C3	C4	H1	H2	H3	H4	B1	B2	ØW	ØJ	Q	k	x	(g)
XPND090.MT05.Q11	40	27	59,5	60,5	45	12,5	71	1,5	22	47	50	36	11	M5x9	M6x9	910
XPND090.MT17.Q14	47	34	98,5	108,5	45	19	81	2	33	62	70	50	14	M6x9	M8x12	2180
XPND090.MT20.Q17	54	42	88,5	97,5	45	19	98	2	35	76,5	70	50	17	M6x9	M8x12	2150
XPND090.MT30.Q17	62	52	115	126	45	23	117	2	40,5	90,5	70	50	17	M6x9	M8x12	4150
XPND090.MT35.Q22	66	65	123	138	45	30	154	3	40,5	95,5	102	70	22	M8x12	M10x15	6450

All descriptions and illustrations in this publication are intended for guidance only and shall not constitute a 'sale by description'. All dimensions given are nominal, while changes can be done on the information, products and specifications from time to time for a variety of reasons, without prior notice. The information in this publication is provided 'as is' on the revision date stated on the sheet. Updates will not be issued automatically. This information is not intended to have any legal effect, whether by way of advice, representation or warranty (express or implied). We accept no liability whatsoever (to the extent permitted by law) if you place any reliance on this publication you must do so at your own risk. All rights reserved. Copyright in this publication belongs to Polypipe Italia and all such copyright may not be used, sold, copied or reproduced in whole or part in any manner in any media to any person without prior consent. **EFFAST** is a registered trademark."