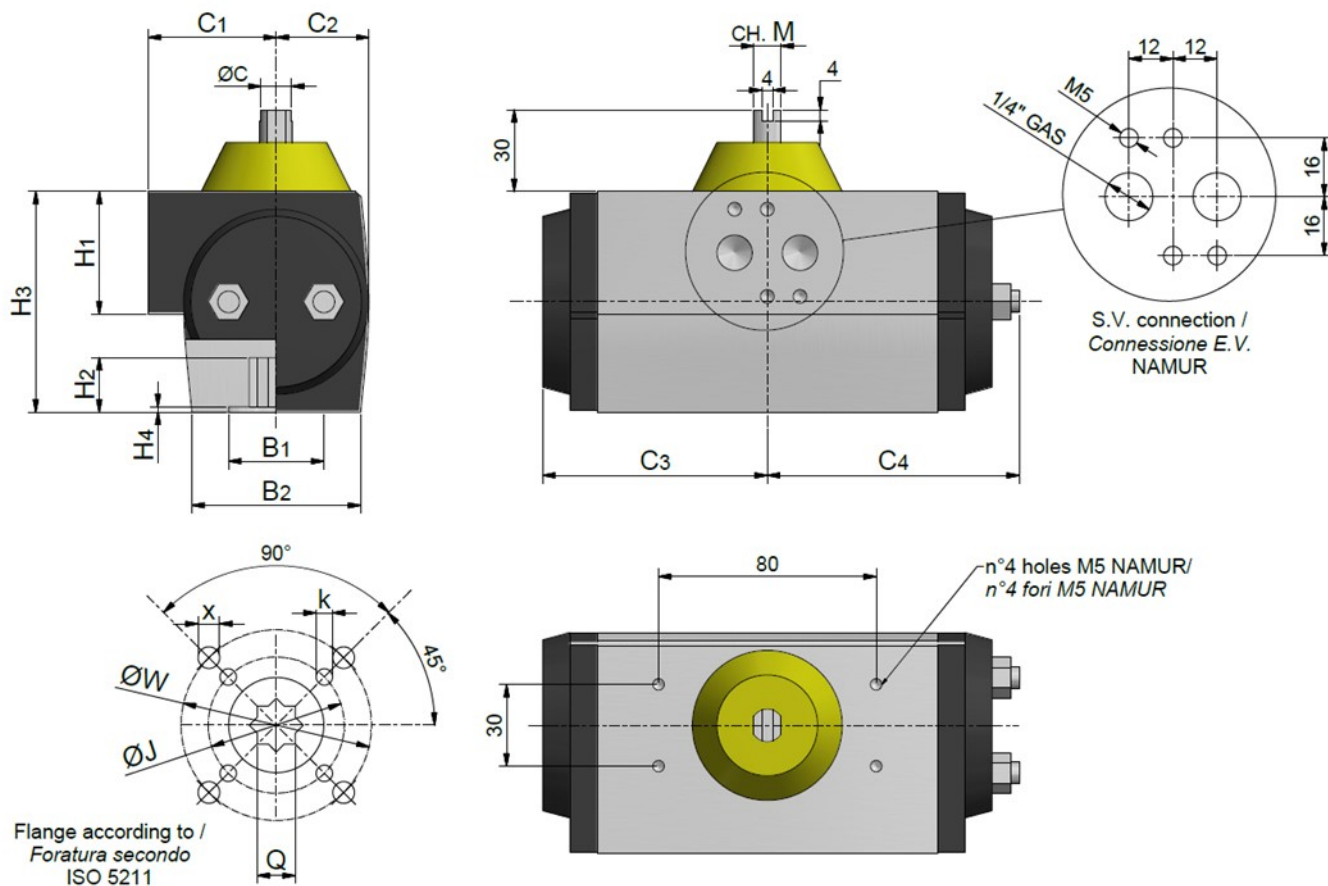


Actuation Attuazione

PNEUMATICALLY ACTUATED – SPRING RETURN COMANDO PNEUMATICO – SEMPLICE EFFETTO

Rev. Oct 2020



Code	C1	C2	C3	C4	H1	H2	H3	H4	B1	B2	ØW	ØJ	Q	k	x	(g)
XPNS090.MT05.S2.C.Q11	40	27	59,5	60,5	45	12,5	71	1,5	22	47	50	36	11	M5x9	M6x9	990
XPNS090.MT07.S4.C.Q11	41	29	80	98	43	15	68	1,5	26	52,5	50	36	11	M5x8	M6x10	1360
XPNS090.MT15.S4.C.Q14	47	34	82,5	92,5	45	19	81	2	33	62	70	50	14	M6x9	M8x12	1690
XPNS090.MT17.S5.C.Q14	47	34	98,5	108,5	45	19	81	2	33	62	70	50	14	M6x9	M8x12	2420
XPNS090.MT25.S5.C.Q17	54	42	119,5	128,5	45	23	98	2	40,5	76,5	70	50	17	M6x9	M8x12	3770
XPNS090.MT30.S5.C.Q17	62	52	115	126	45	23	117	2	40,5	90,5	70	50	17	M6x9	M8x12	4880
XPNS090.MT45.S4.C.Q22	73	72	175,5	191,5	45	30	168,5	3	56,5	98,5	102	70	22	M8x12	M10x15	13210
XPNS090.MT50.S4.C.Q27	91	90	180,5	200	45	31	202	3	54,5	124,5	125	102	27	M10x15	M12x18	21000

All descriptions and illustrations in this publication are intended for guidance only and shall not constitute a 'sale by description'. All dimensions given are nominal, while changes can be done on the information, products and specifications from time to time for a variety of reasons, without prior notice. The information in this publication is provided 'as is' on the revision date stated on the sheet. Updates will not be issued automatically. This information is not intended to have any legal effect, whether by way of advice, representation or warranty (express or implied). We accept no liability whatsoever (to the extent permitted by law) if you place any reliance on this publication you must do so at your own risk. All rights reserved. Copyright in this publication belongs to Polypipe Italia and all such copyright may not be used, sold, copied or reproduced in whole or part in any manner in any media to any person without prior consent. **EFFAST** is a registered trademark."