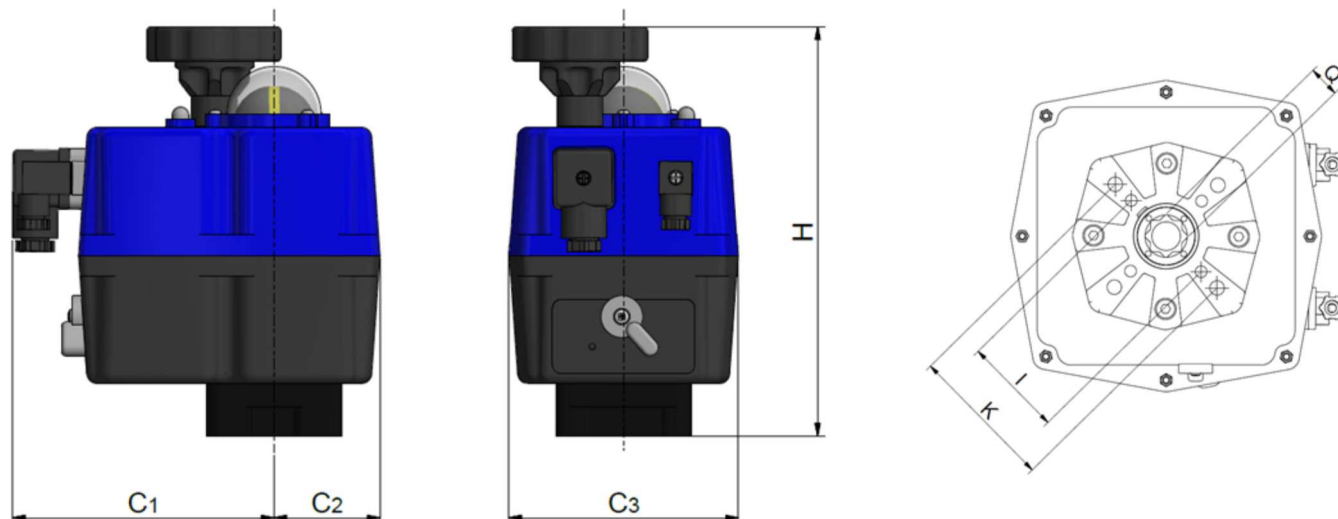


Actuation Attuazione

ELECTRIC ACTUATOR MULTI VOLTAGE 24-240 V AC/DC ATTUATORE ELETTRICO MULTIVOLTAGGIO 24-240 V AC/DC

Rev. Jan 2020



Code	C1	C2	C3	H	Q	Q on request	I	K	ISO 5211	ISO 5211 on request	Weight (g)
XEL090.H020.Q14	130	51	110	169	14	9 / 11	36	50	F03/F04/F05	F05/F07	1800
XEL090.H035.Q14	130	51	110	169	14	9 / 11	36	50	F03/F04/F05	F05/F07	1900
XEL090.H055.Q17	130	51	110	196	17	11 / 14	50	70	F05/F07	-	2400
XEL090.H055.Q14	130	51	110	196	14	9 / 11	50	70	F05/F07	-	2400
XEL090.H085.Q14	130	51	110	196	14	11 / 17	50	70	F05/F07	-	3000
XEL090.H140.Q17	128	107	214	254	17	22	70	102	F07/F10	F12	5200
XEL090.H300.Q22	128	107	214	252	22	17	70	102	F07/F10	F12	5200

All descriptions and illustrations in this publication are intended for guidance only and shall not constitute a 'sale by description'. All dimensions given are nominal and Effast may modify and change the information, products and specifications from time to time for a variety of reasons, without prior notice. The information in this publication is provided 'as is' on the revision date stated on the sheet. Updates will not be issued automatically. This information is not intended to have any legal effect, whether by way of advice, representation or warranty (express or implied). We accept no liability whatsoever (to the extent permitted by law) if you place any reliance on this publication you must do so at your own risk. All rights reserved. Copyright in this publication belongs to Polypipe and all such copyright may not be used, sold, copied or reproduced in whole or part in any manner in any media to any person without prior consent. **EFFAST** is a registered trademark of Effast. All Polypipe products are protected by Design Right under CDPA 1988. Copyright © 2016 Polypipe. All rights reserved.