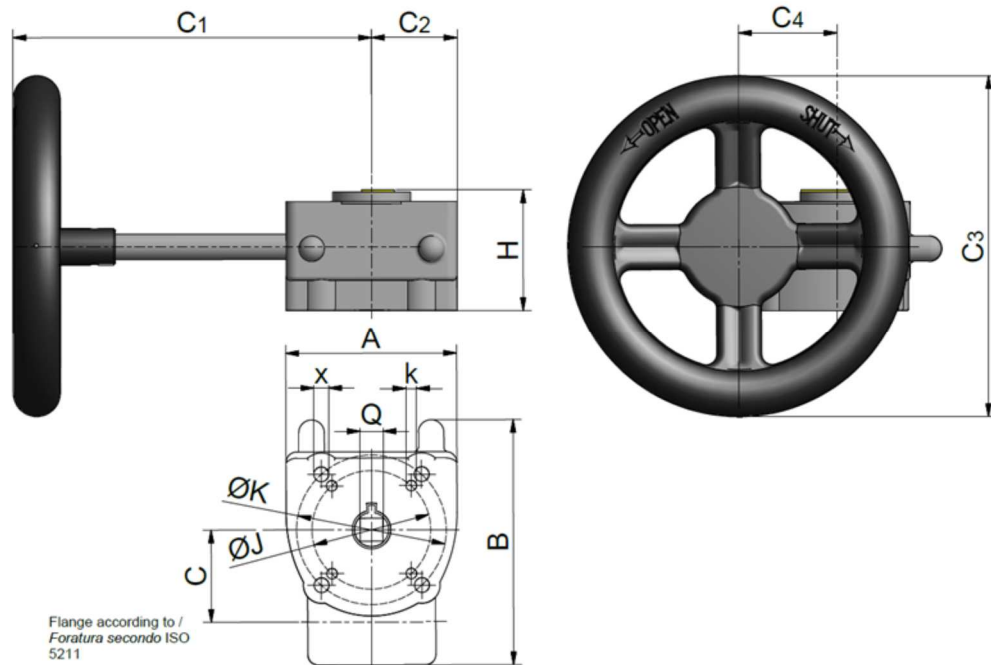


Actuation Attuazione

GEAR BOX VOLANTINO

Rev. Oct 2020



Code	C1	C2	C3	C4	A	B	C	ØW	ØJ	Q	k	x	ISO 5211	Weight (g)
XGEARB0125.Q14.V160	139	56,5	160	42,5	80	114	42,5	50	36	14	M5x9	M6x9	F07	800
XGEARB0250.Q17.V160	189	70	160	42,5	80	114	42,5	70	50	17	M6x9	M8x2	F05-F07	900
XGEARB0500.Q22.V200	207	70	200	50	100	131	50	102	70	27	M8x12	M10x15	F07-F10	1550

All descriptions and illustrations in this publication are intended for guidance only and shall not constitute a 'sale by description'. All dimensions given are nominal and Effast may modify and change the information, products and specifications from time to time for a variety of reasons, without prior notice. The information in this publication is provided 'as is' on the revision date stated on the sheet. Updates will not be issued automatically. This information is not intended to have any legal effect, whether by way of advice, representation or warranty (express or implied). We accept no liability whatsoever (to the extent permitted by law) if you place any reliance on this publication you must do so at your own risk. All rights reserved. Copyright in this publication belongs to Polypipe and all such copyright may not be used, sold, copied or reproduced in whole or part in any manner in any media to any person without prior consent. is a registered trademark of Effast. All Polypipe products are protected by Design Right under CDPA 1988. Copyright © 2016 Polypipe. All rights reserved.