



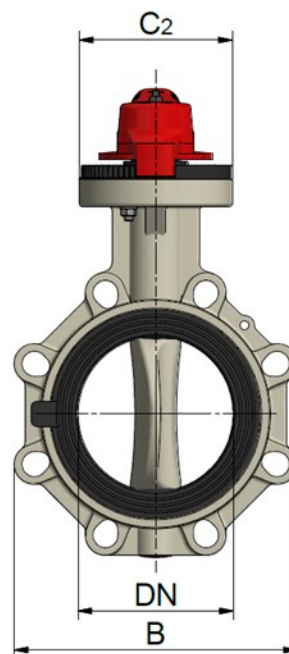
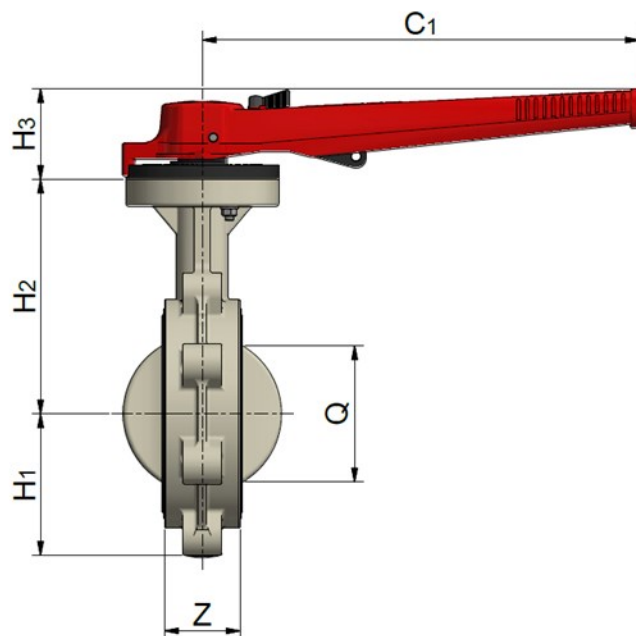
# PP-H Butterfly valves PROFLOW® T

## PP-H Valvole a farfalla PROFLOW® T

### MANUAL MANUALE

- Disc: PP-H
- Stem: stainless steel AISI 420B
- Seals: EPDM or FKM
- Installation between EN/ISO/DIN, ANSI or JIS flanges
- DN 65 and 150-200: full drilled body; DN 80-125: partially drilled body

- *Disco: PP-H*
- *Asta: acciaio AISI 420B*
- *Guarnizioni: EPDM o FKM*
- *Installazione mediante flange EN/ISO/DIN, ANSI o JIS*
- *Corpi: DN 65 e 150-200 asolatura completa; DN 80-125: asolatura parziale*



Code EPDM	Code FKM	d	DN	Z	H1	H2	H3	C1	C2	B	Q	PN	Weight (g)
FHPPFT0750.CR	FHPPFT075V.CR	75	65	48	80	132	63	246	113	134	61	10	1454
FHPPFT0900.CR	FHPPFT090V.CR	90	80	59	92	132	63	246	113	139	73	10	1562
FHPPFT1100.CR	FHPPFT110V.CR	110	100	59,5	106	132	63	246	113	150	82	10	1874
FHPPFT1400.CR	FHPPFT140V.CR	125/140	125	65	119	159	63	246	113	185	107	10	2148
FHPPFT1600.CR	FHPPFT160V.CR	160	150	69	130	215	83	400	140	259	128	10	5438
FHPPFT2250.CR	FHPPFT225V.CR	200/225	200	71	159	215	83	400	140	318	177	10	6030



All descriptions and illustrations in this publication are intended for guidance only and shall not constitute a 'sale by description'. All dimensions given are nominal, while changes can be done on the information, products and specifications from time to time for a variety of reasons, without prior notice. The information in this publication is provided 'as is' on the revision date stated on the sheet. Updates will not be issued automatically. This information is not intended to have any legal effect, whether by way of advice, representation or warranty (express or implied). We accept no liability whatsoever (to the extent permitted by law) if you place any reliance on this publication you must do so at your own risk. All rights reserved. Copyright in this publication belongs to Polypipe Italia and all such copyright may not be used, sold, copied or reproduced in whole or part in any manner in any media to any person without prior consent. **EFFAST** is a registered trademark.